

CBRB



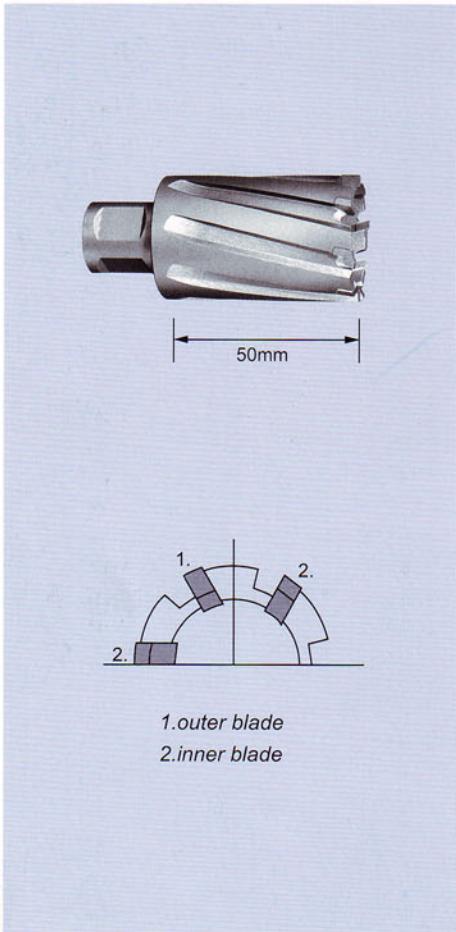
削平柄型硬质合金钢板钻

T.C.T Core drills with weldon shank



☛ B型 (可用于难加工材料)

Suitable for drilling in hard-cutting materials



公制标准系列 Metric Regular Size:

<mm>

编号 No.	外径 Dia.(mm)	柄径 Shank Dia.(mm)	编号 No.	外径 Dia.(mm)	柄径 Shank Dia.(mm)
CBRB015	15	19.05	CBRB038	38	19.05
CBRB016	16	19.05	CBRB039	39	19.05
CBRB017	17	19.05	CBRB040	40	19.05
CBRB018	18	19.05	CBRB041	41	19.05
CBRB019	19	19.05	CBRB042	42	19.05
CBRB020	20	19.05	CBRB043	43	19.05
CBRB021	21	19.05	CBRB044	44	19.05
CBRB022	22	19.05	CBRB045	45	19.05
CBRB023	23	19.05	CBRB046	46	19.05
CBRB024	24	19.05	CBRB047	47	19.05
CBRB025	25	19.05	CBRB048	48	19.05
CBRB026	26	19.05	CBRB049	49	19.05
CBRB027	27	19.05	CBRB050	50	19.05
CBRB028	28	19.05	CBRB055	55	19.05
CBRB029	29	19.05	CBRB060	60	19.05
CBRB030	30	19.05	CBRB065	65	31.75
CBRB031	31	19.05	CBRB070	70	31.75
CBRB032	32	19.05	CBRB075	75	31.75
CBRB033	33	19.05	CBRB080	80	31.75
CBRB034	34	19.05	CBRB085	85	31.75
CBRB035	35	19.05	CBRB090	90	31.75
CBRB036	36	19.05	CBRB095	95	31.75
CBRB037	37	19.05	CBRB100	100	31.75